

DriMaster Upholstery Tool **AW83**

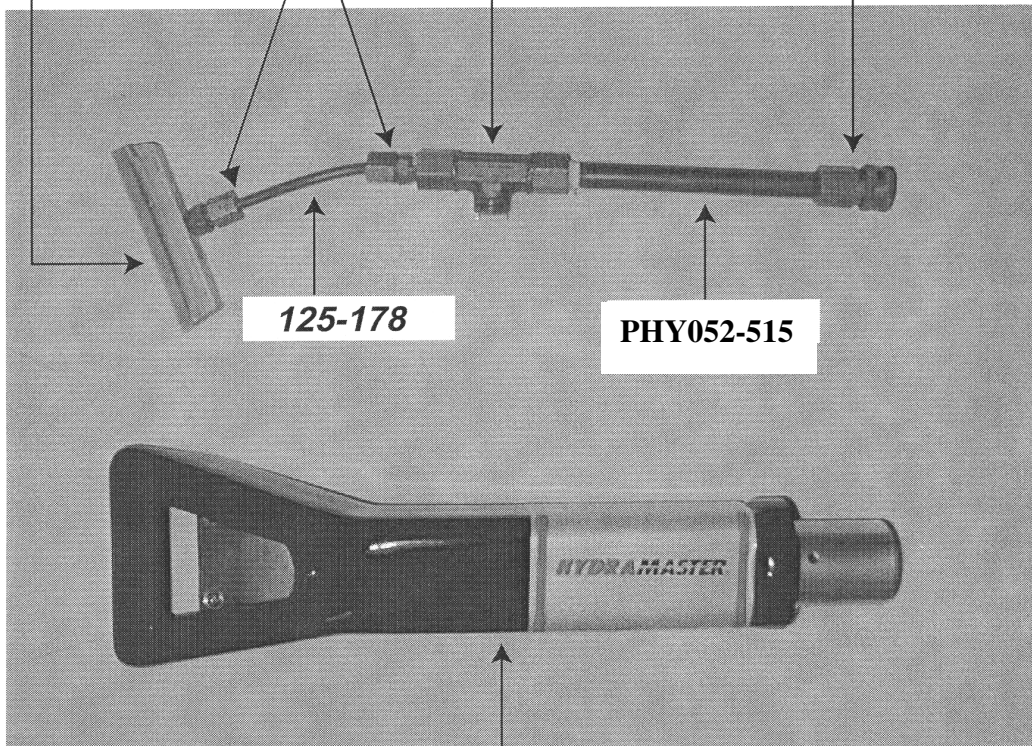
Parts Breakdown

PHY076-066

PHY169-014

NA034

PHY052-541 (X2)



125-178

PHY052-515

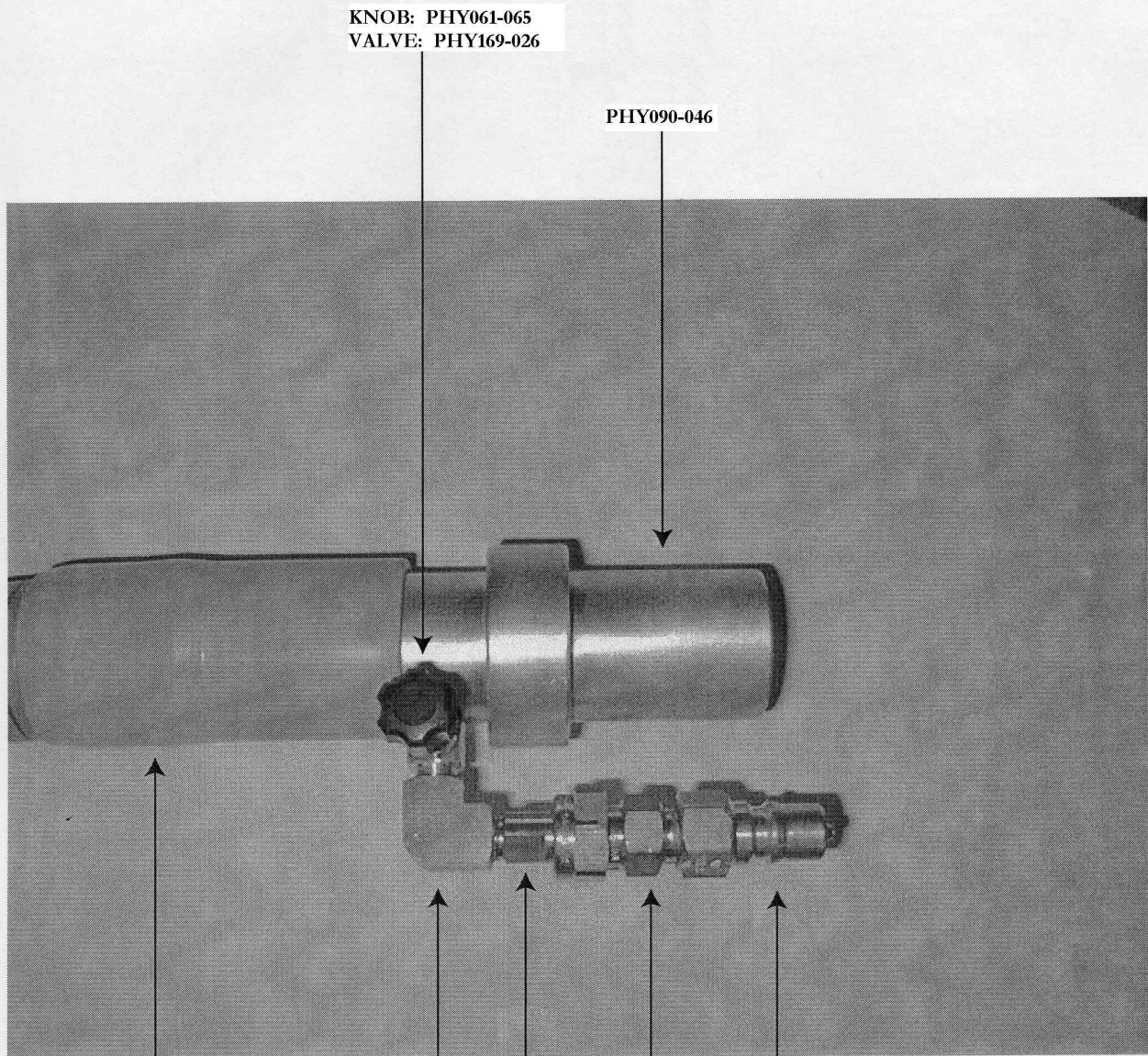
163-029

| | |
|------------------------------|-------------------|
| Window | PHY041-370 |
| Valve Repair Kit | PHY078-371 |
| Knob for On/Off Valve | 061-010 |

Window Clamp w/ Screw

PHY041-406

DriMaster Upholstery Tool AW83 Parts Breakdown



KNOB: PHY061-065
VALVE: PHY169-026

PHY090-046

PHY052-406

PHY052-582

100009

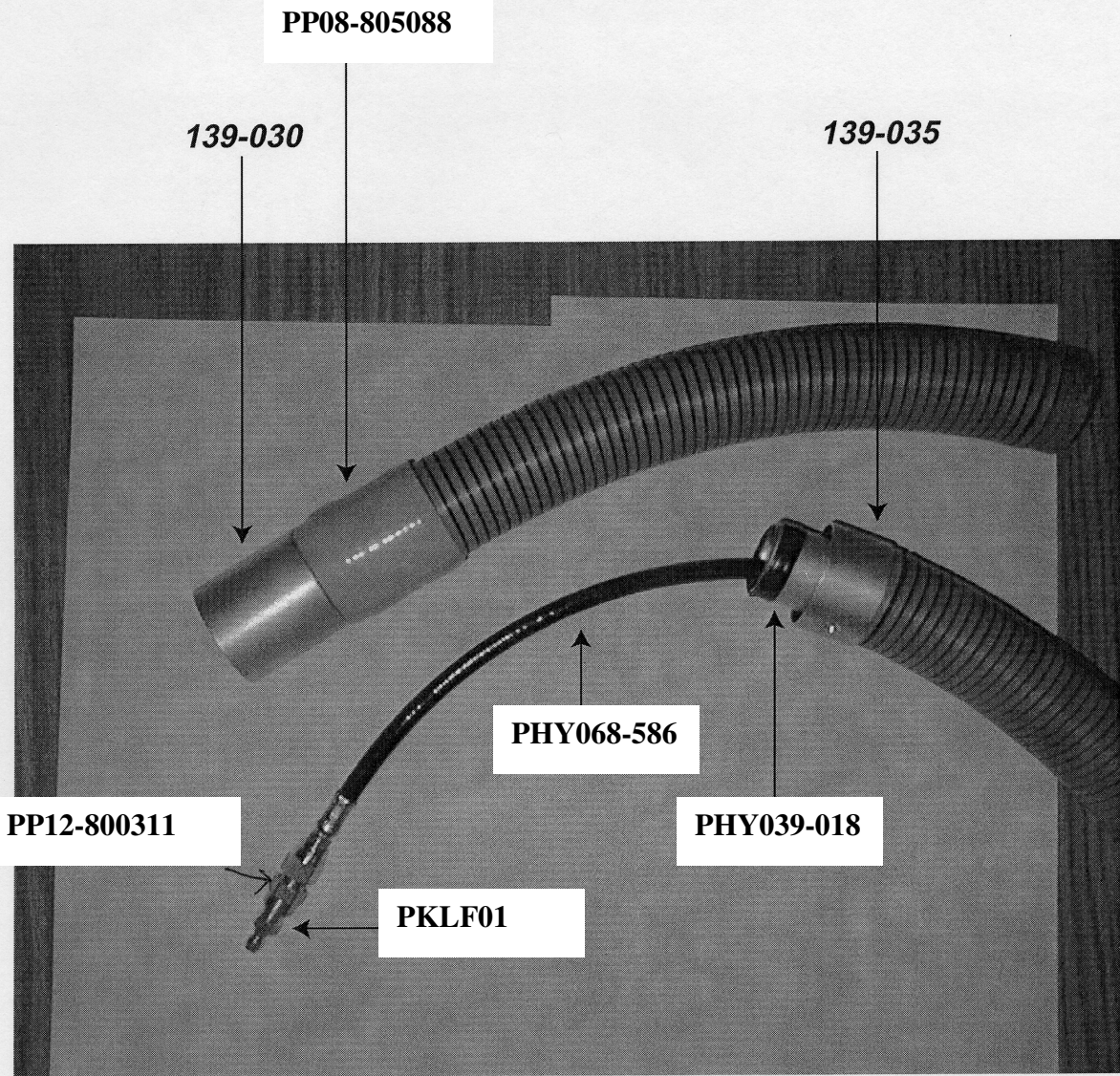
BR290

PP12-800311 & BR280 -
CONNECT TO THE VALVE
AND TO SOLUTION HOSE
INSIDE THE COUPLER

Filter Housing
Nut
Filter

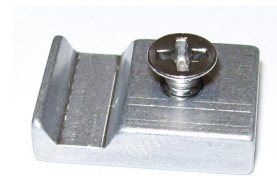
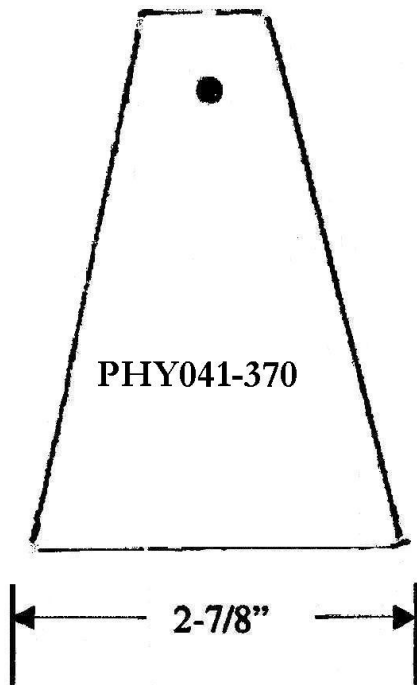
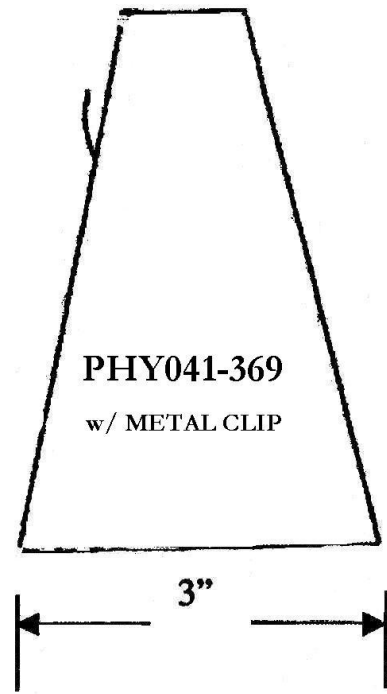
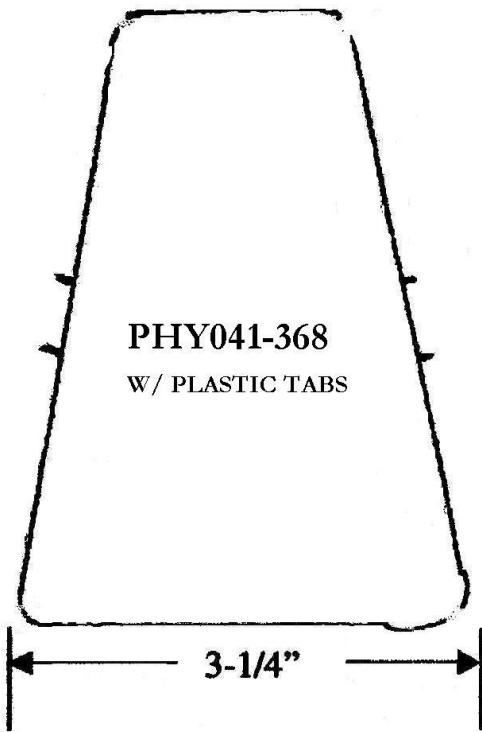
NA0802
NA0826
NA0803

DriMaster Upholstery Tool AW83 Parts Breakdown



| | |
|----------------|---------|
| Vac Hose Long | 068-623 |
| Vac Hose Short | 068-624 |

AH35 - 1-1/4" GRAY VAC HOSE SOLD PER FOOT



PHY041-406
THREADED CLAMP
USED WITH PHY041-370

**Windows used with different versions
of the Dri-Master Upholstery Tool**